

Dependable Systems

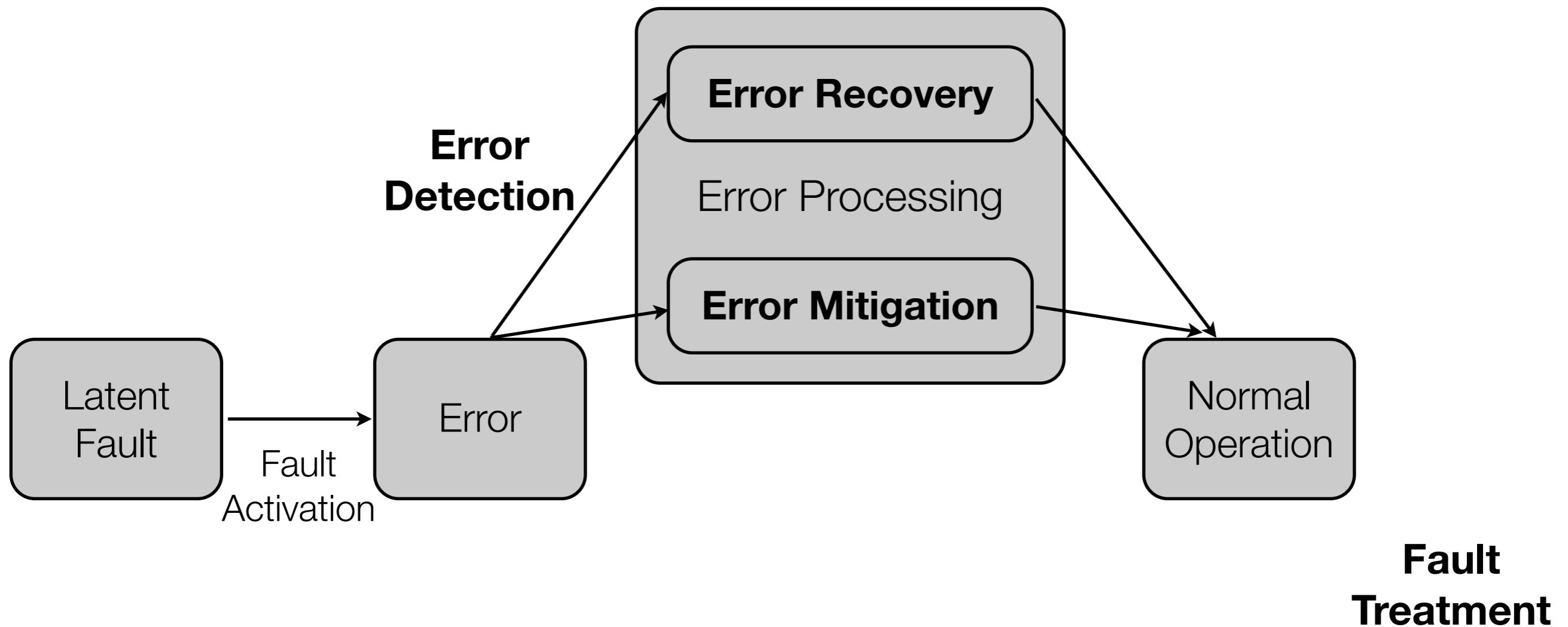
Fault Tolerance Patterns

Dr. Peter Tröger

Source:

Hanmer, Robert S.: Patterns for Fault Tolerant Software. Wiley, 2007.

Phases of Fault Tolerance (Hanmer)



Design Pattern

- Definition from software engineering:
„A general reusable solution to a commonly occurring problem“
 - No finished / directly applicable solution, but a template
 - On the level of components and interactions
- Popular approach in computer science (Gang of Four, Portland Pattern Repository)
- Fault tolerance patterns
 - ... might be suited for stateless / stateful / both kinds of system
 - ... are based on observers and monitors (humans / computers)
 - ... work orthogonal to primary function
- Note: ‚Hamner‘-Book is about software fault tolerance, but the patterns are generic (enough)

Fault Tolerance Patterns

- **Architectural patterns**

- Considerations that cut across all parts of the system
- Need to be applied in early design phase

- **Detection patterns**

- Detect the presence of root faults, error states, and failures
- Errors vs. failures -> a-priori knowledge vs. comparison of redundant elements

- **Error Recovery Patterns**

- Methods to continue execution in a new error-free state
- Undoing the error effects + creating the new state

Fault Tolerance Patterns

- **Error Mitigation Patterns**

- Do not change application or system state, but mask the error and compensate for the effects
- Typical strategies for timing or performance faults

- **Fault Treatment Patterns**

- Prevent the error from reoccurring by repairing the fault
- System verification
- Diagnosis of fault location and nature
- Correction of the system and / or the procedures

Architectural Patterns

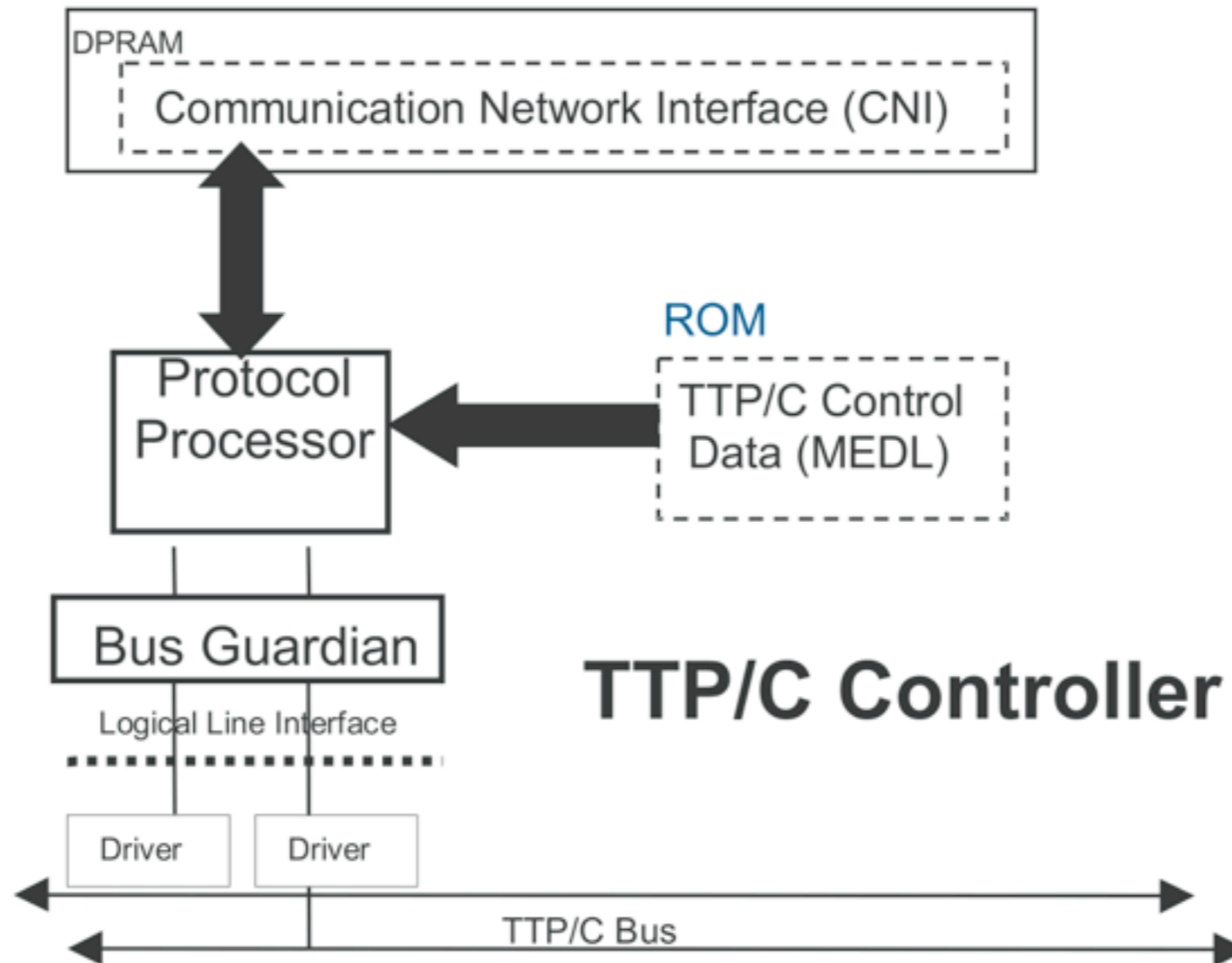
Architectural Patterns - Units of Mitigation

- Only parts of the system should potentially get into error state
- Design *units of mitigation* that contain errors and their error recovery mechanism
- Tradeoff:
Component size vs. bookkeeping overhead vs. fault tolerance options
- Should contain independent atomic actions without communication focus
- Hints for granularity
 - Architectural style (n-tier)
 - Functional and resource (memory, CPU) boundaries
 - Choice of recovery action (e.g. restart)
- Should perform **self checks and fail silently**, act as barrier to an error state
- Units without any recovery / mitigation possibility are too small

Architectural Patterns - Error Containment Barrier

- Errors spread through several mechanisms - messages, memory, follow-up actions
- *Unit of mitigation* boundary implemented by *error containment barrier*
 - Treated as **separate system component**
 - Barrier must encapsulate error state, should trigger recovery / mitigation
 - In best case, perform detection close to the fault (structural proximity / time)
- Hardware: Isolate faulty components by state bit
- *Babbling idiot* problem
 - Suspicious nodes should never be in control of the communication bus
 - *Bus guardian* as barrier implementation

Guardian Example: Temporal Firewall in the Time-Triggered Architecture (TTA)



(C) Kopetz et al., TU Wien

Architectural Patterns - Correcting Audits

- Data element corruption can occur on hardware level (external physical faults) and software level (data types, currencies, pointers, ...)
- *Auditing data demands correctness criteria*
 - Structural properties of the data structure (linked lists, pointer boundaries, ...)
 - Known correlations (multiple locations, known conversion factors, cross linkage)
 - Sanity checks (value boundaries, checksums)
 - Direct comparison (duplication, mostly of static data)
- Automatic correction is usually easy, but must consider *item consistency*
- *Actions*: Correction, logging, resume execution
- Errors from faulty data easily propagate, common audit infrastructure helps

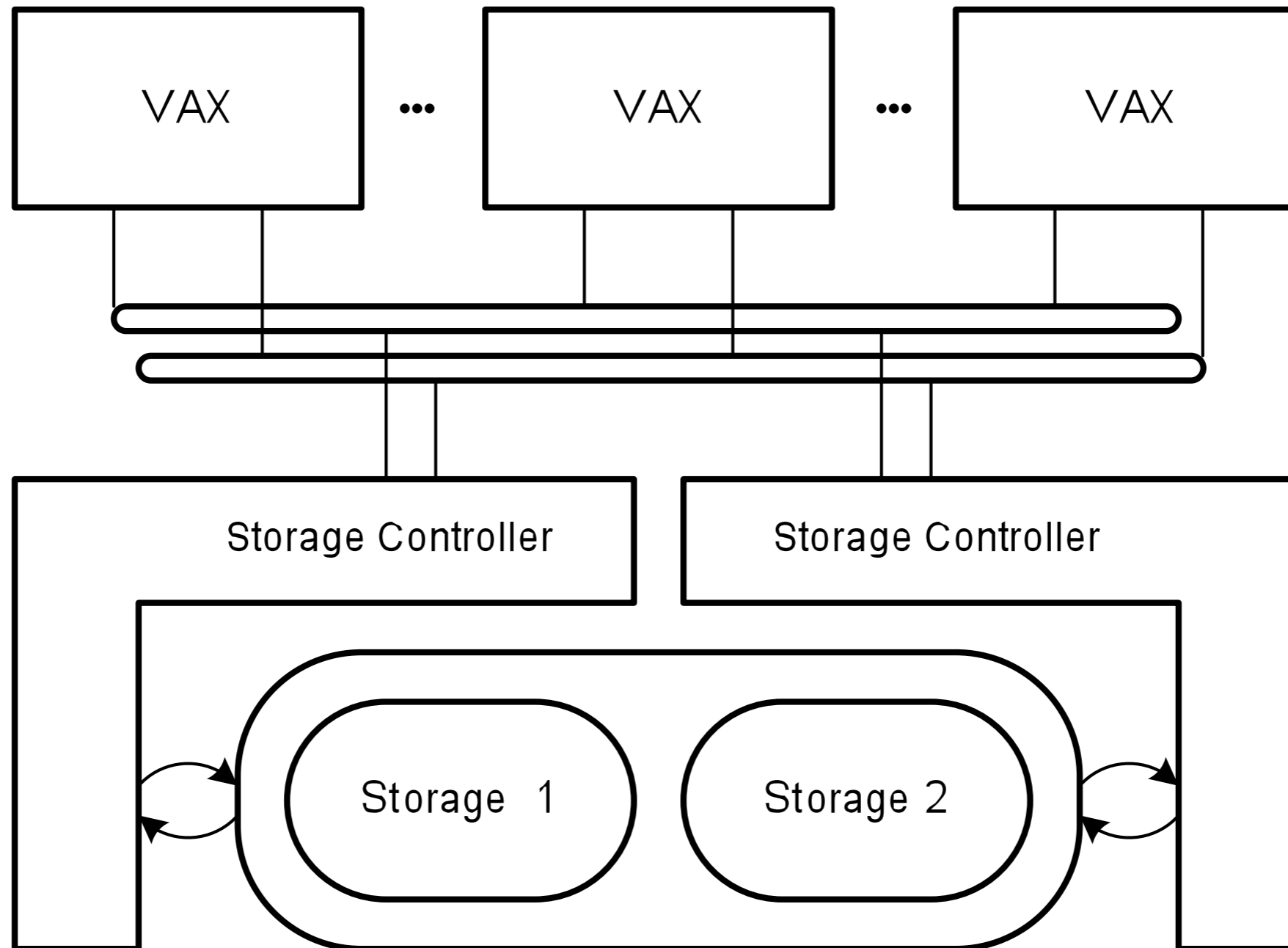
Architectural Patterns - Redundancy

- Improving availability by reducing MTTR is the easiest way
- Error recovery phase makes the effect undone, but must be short
- Idea: Resume execution before bad effects are undone, by using identical copy
 - Accomplish the same work on different hardware / software
 - Does not mean identical functionality, just perform the same work
 - Quick activation of redundant feature needed
- Redundancy types: **spatial, temporal, informational** (presentation, version)
 - Special issues with software redundancy regarding deterministic behavior
- Redundancy for performance improvement, availability then by excess capacity
- Example: Checkpointing vs. fail-over

Spatial Redundancy through Replication

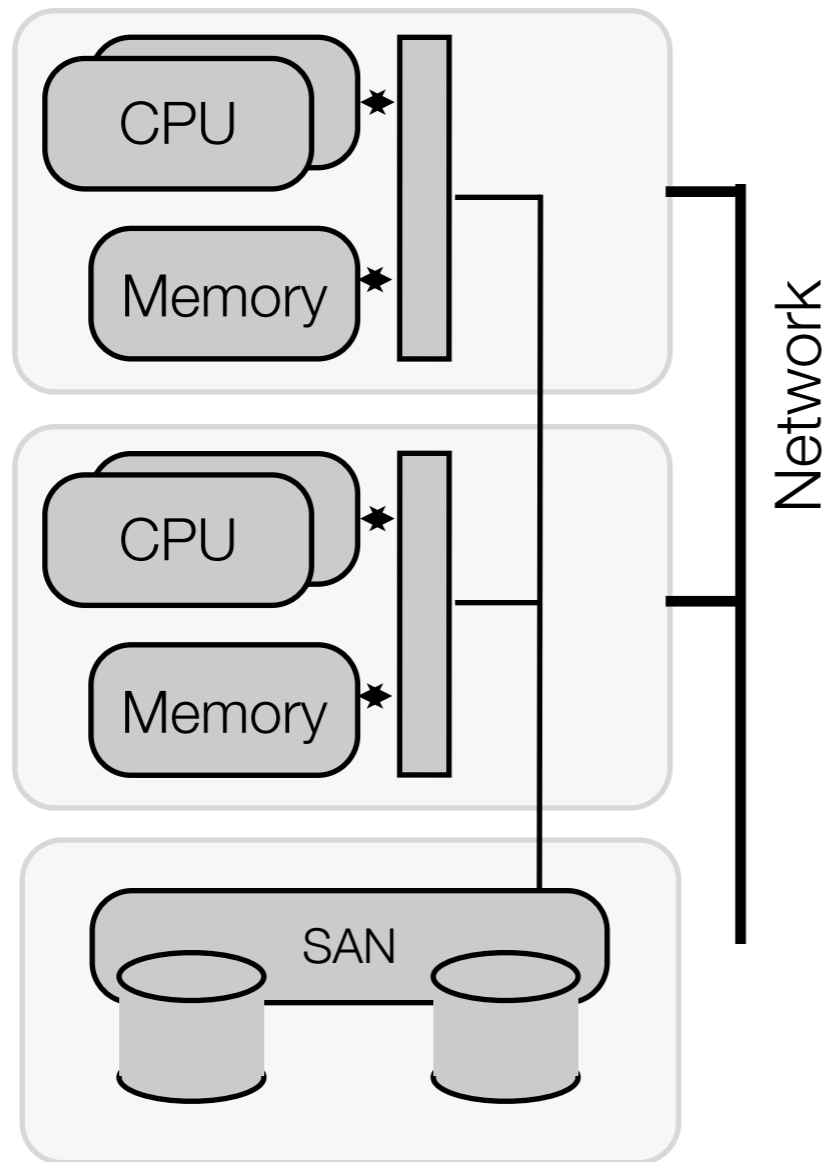
- **Replication:** Process of ensuring consistency between redundant resources
 - Mostly applied for data replication
 - *Active (synchronous) replication* performs the same activity on every replica
 - First introduced by Leslie Lamport as *state machine replication*
 - Demands a deterministic processing of activities
 - *Passive replication* performs activity on one replica, and transmits the delta
 - *Primary server vs. backup servers*
 - Delayed response in failover case
 - Works also for non-deterministic processes
- Example: Master-Slave vs. Master-Master replication setup

Example: VAX Spatial Hardware Redundancy

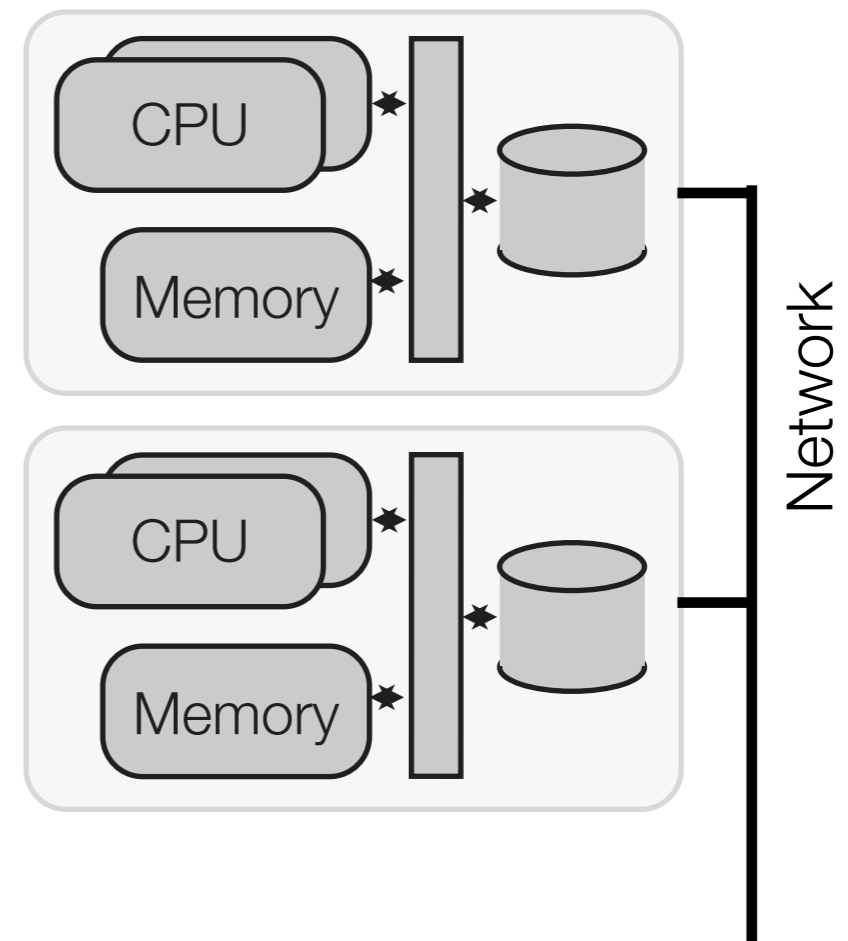


Example: Persistency in Redundant Systems

Shared Disk



Shared Nothing



Example: Persistency in Redundant Systems

	Shared Disk / ,Multi-Homing‘	Shared Nothing
Advantages	<ul style="list-style-type: none">● Good availability● Good load-balancing	<ul style="list-style-type: none">● Very good availability● Unlimited scalability● Low cost due to standard components
Disadvantages	<ul style="list-style-type: none">● Limited scalability● Synchronization for concurrent update	<ul style="list-style-type: none">● Difficult for load balancing● Difficult for performance optimization

Example: PostgreSQL 9 Redundancy Options

- **Shared-Disk setup**

- Avoids synchronization overhead, but demands network storage resp. file system
- Mutual access exclusion from active / passive node must be ensured

- **Shared-Nothing setup**

- **Block-device replication** - Operating system can mirror file system modifications (e.g. GFS, DRBD)
- **Point-In-Time Recovery (PITR)** - Passive nodes receive stream of write-ahead log (WAL) records, after each transaction commit
- **Master-Slave / Multimaster Replication** - Batch updates on table granularity
- **Statement-Based Replication Middleware** - SQL is sent to all nodes

Example: PostgreSQL 9 Redundancy Options

Feature	Shared Disk Failover	File System Replication	Hot/Warm Standby Using PITR	Trigger-Based Master-Slave Replication	Statement-Based Replication Middleware	Asynchronous Multimaster Replication	Synchronous Multimaster Replication
Most Common Implementation	NAS	DRBD	PITR	Slony	pgpool-II	Bucardo	
Communication Method	shared disk	disk blocks	WAL	table rows	SQL	table rows	table rows and row locks
No special hardware required		•	•	•	•	•	•
Allows multiple master servers					•	•	•
No master server overhead	•		•		•		
No waiting for multiple servers	•		•	•		•	
Master failure will never lose data	•	•			•		•
Slaves accept read-only queries			Hot only	•	•	•	•
Per-table granularity				•		•	•
No conflict resolution necessary	•	•	•	•			•

Architectural Patterns - Humans

- *Minimize Human Interaction*

- Error state root causes: Hardware, Software, Procedural / Operational
- **Humans are bad** in: Long series of steps, routine tasks, operation, response time
- Reduce failure risk due to mistakes in error treatment
 - > process errors automatically
 - Operational staff should be able to monitor, but not be required for the solution

- *Maximize Human Participation*

- System should support experts in contributing to an error solution
 - **Humans are good** in drawing meaning from sequence of unrelated events
- Examples: Reporting prioritization, context information (timestamp etc.)
- Safe mode: Wait for human participation

Architectural Patterns - Maintenance Interface

- **Making maintenance task visible** to the outside world - additional form of input
- Separated interfaces and handling needed
 - Shed load approach or any other overload defense will affect operator
 - Intermixed interfaces might bring security problems
- Not a hidden trap door, but well well-protected dedicated path into the system
- Prevent application workload from using it
- Also useful for alike functions, such as log information fetching

Architectural Patterns - Someone in Charge

- Anything can go wrong, even during error processing
- If something does not work, some entity must be able to restart processing action
- For any fault tolerance activity, there must be a **clearly identifiable responsible**
 - Example: *Active / Passive* standby
- Single component in charge means single failure point, also increases complexity
 - Examples: Initialization module, cluster management node
 - Multiple fault tolerance activities may be needed at the same time
- Component must monitor progress and might initiate alternative actions
- Dual masters problem (also with *voting*)

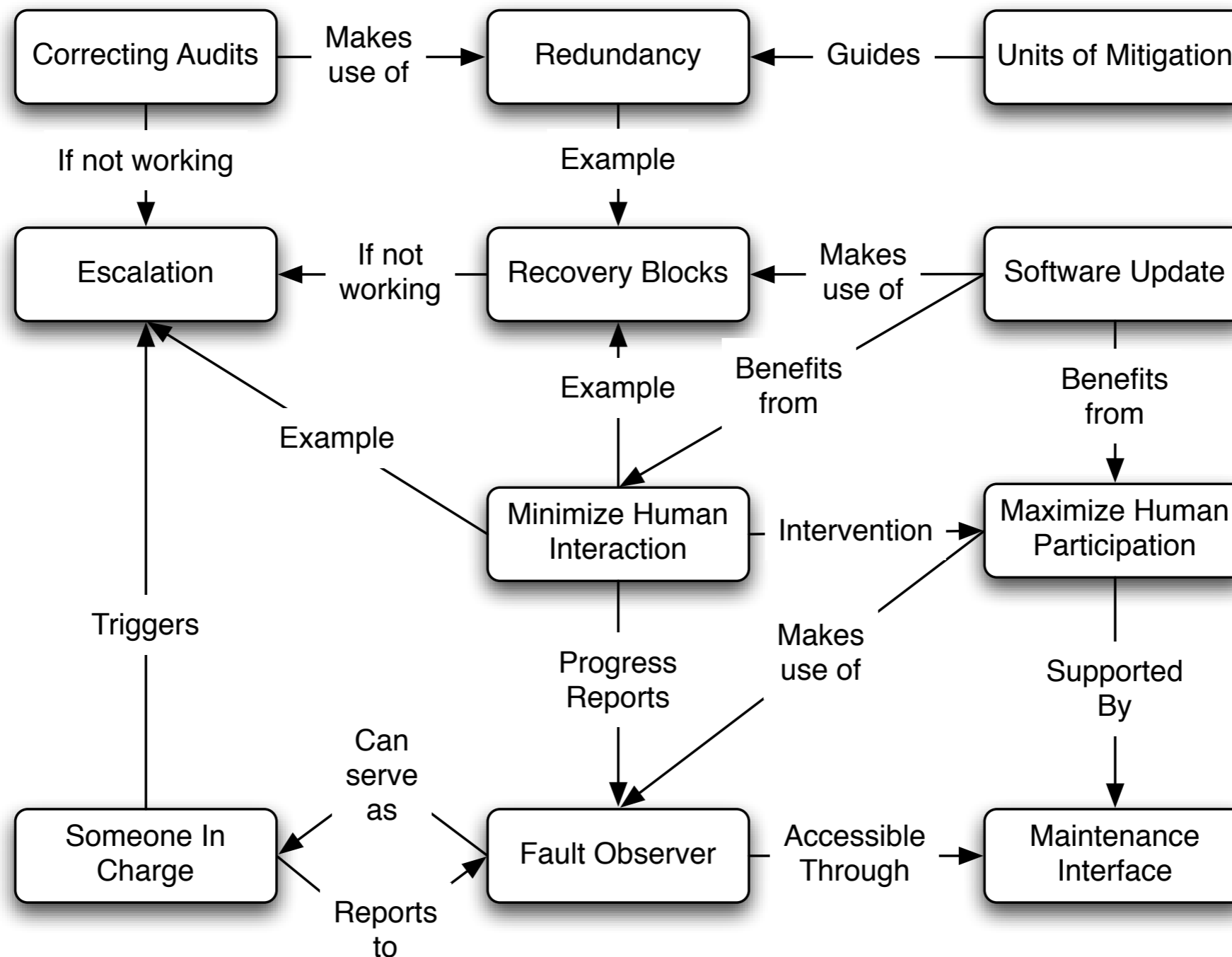
Architectural Patterns - Escalation

- Endless recovery attempts might be valid in some cases (transient faults)
- But error processing becomes stalled when:
 - *Correcting audits* remain unsuccessful
 - *Rollback / roll-forward* remain unsuccessful
 - Still *human intervention* should be *minimized*
- **Escalation** of the processing makes the error less local and more drastic
 - Demands understanding of faults and failure modes
 - Some options: Resume partial operation, perform partial service degradation

Architectural Patterns - Fault Observer

- Faults and errors are detected and processed - tell all the interested parties
 - Observer can publish to humans through the *maintenance interface*
- Can be performed by an external entity
- Good application of publish / subscribe design pattern
- *Someone in charge* needs the information to steer the recovery process
- Report reception usually leads to logging
 - Make data storage again fault tolerant
- Typically part of some IT management software (,cockpit')

Architectural Patterns - Examples for Pattern Relation



Detection Patterns

Detection Patterns - Fault Correlation

- Prerequisite: Early fault removal uncovered common error types
- Look at unique *signature of an error* to identify an according *fault category*
 - Enables the activation of a well-known matching error processing
 - Examples:
 - Many off-by-one errors found in testing, prepare system for this
 - On data errors, related data to be checked should be known beforehand
- Multiple errors can happen close in time - useful to triangulate the fault location
- *fault - error - error chain*
 - In best case, take care of the initial fault that started the error chain

Detection Patterns - System Monitor / Heartbeat

- **System Monitor**

- How can one part keep track that another part is functioning ?
 - Monitor for system (or system parts) behavior
 - Might be part of *fault observer* or *someone in charge*, or separate element
- Location of the monitor is highly application-dependent

- **Heartbeat**

- How does *system monitor* know that a task is still working ?
 - Send health reports at regular intervals (cost / benefit tradeoff)
 - Ping-alike messages, heartbeat function, push / pull approach

Detection Patterns - Acknowledgment / Watchdog

- **Acknowledgment**

- Typical part of protocol definitions
- Alternative for *heartbeat*, does not demand additional messaging
- **Piggybacking** - Add acknowledgment information to response data frame
 - Prominent approach in bidirectional networking protocols

- **Watchdog**

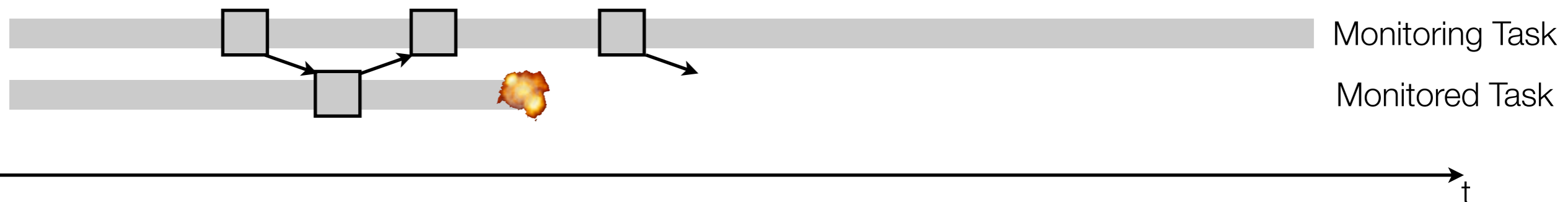
- Watch visible effects of the monitored task, without adding complexity to it
- Ensure that a task is alive, without messaging / processing overhead
- Strategies: Timers, peepholes, hardware test points

Detection Patterns - Realistic Threshold

- How much time should elapse before the system monitor takes action ?
 - **Message latency** (e.g. heartbeat interval) vs. **detection latency** (e.g. number of missed heartbeat messages)
- Balance between short intervals (hypersensitive monitoring) and long intervals (possibility for silent failures)
 - Influenced by communication round trip time and severity of undetected errors
- Message latency is typically worst case communication time + processing time
- Maximum unavailability $>$ message latency + detection latency + repair time
- System can automatically adjust thresholds based on experience
- Example: Voyager spacecraft sends one heartbeat to command computer every 2s, failure when one is skipped
 - Overload condition detected during tests with 1s heartbeat

Detection Patterns - Realistic Threshold - Example

- Message roundtrip time: 50ms - 100ms
- Heartbeat message: Preparation on monitor task - 20ms, Processing and reply on monitored task - 15ms, processing of reply - 15ms
- Detection latency: One message
- Scenarios
 - Messaging latency = 50ms : All true failures reported, but many false errors
 - Messaging latency = 100ms: All true failures reported, but long reporting delay



Detection Patterns - Voting

- Redundancy in space provides multiple answers - devise a voting strategy
 - **Exact voting:** Decision leads to correct result or uncertainty state notification
 - **Inexact voting:** Comparison might lead to multiple correct results
 - **Non-adaptive voting:** Use allowable result discrepancy, put boundary on discrepancy minimum or maximum
 - **Adaptive voting:** Rank results based on past experience
 - Predict what the correct value should be and take the closest result
 - Example: Weighted sum of the different results
 $R = W_1 * R_1 + W_2 * R_2 + W_3 * R_3$ with $W_1 + W_2 + W_3 = 1$
- Different optimizations for large answers (e.g. compare only checksum)
- Communication latency shall not influence voter operation

Detection Patterns - Voting

- Selection in case of multiple events:

- **Majority vote**

- (uneven node number)

- **Generalized median voting** -

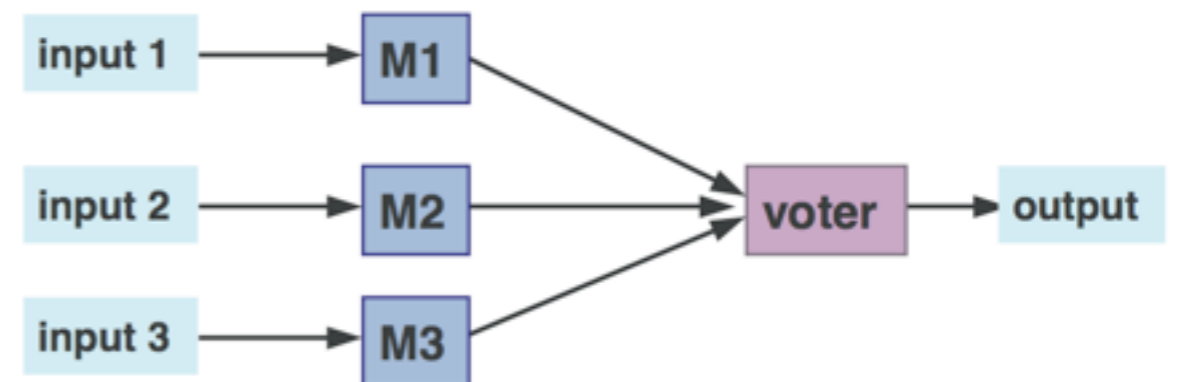
- select result that is the median,
by iteratively removing extremes

- **Formalized plurality voting** -

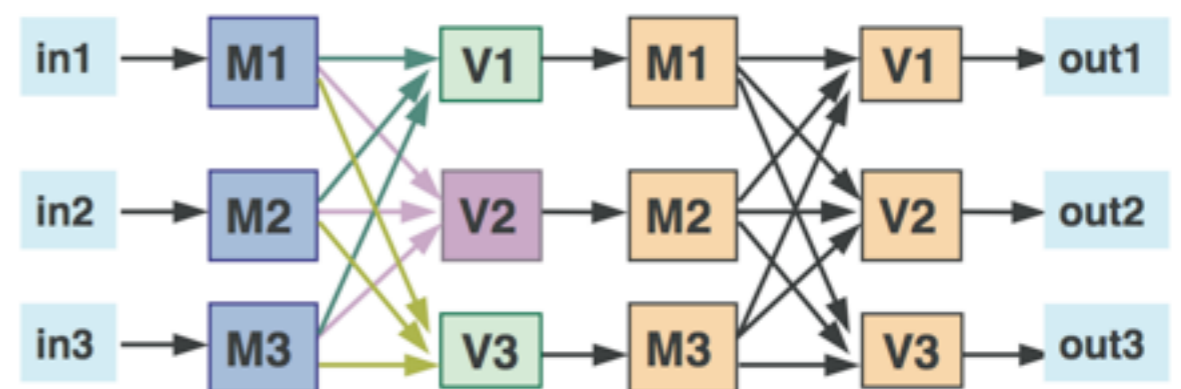
- divide results in partitions, choose
random member from the largest
partition

- **Weighted average** technique

- Components that disagree
(to some extent) with the vote are
marked as erroneous



Triple Modular Redundancy (TMR)



Cascaded TMR

Detection Patterns - Maintenance and Exercises

- **Routine Maintenance**

- Through operator on the *maintenance interface*, or built in
- Typical strategy in operating systems for idle processors
- Relies on concept of checkable resources - connections, memory allocations, ...

- **Routine Exercises**

- Make sure that *redundant* spare components truly work in the *failover* case
- Identify latent faults by checks during light workload - typical in hardware
- Reproducible error is still better than the failure case on high workload

Detection Patterns - Routine Audits / Checksums

- **Routine Audits (,scrubbing')**

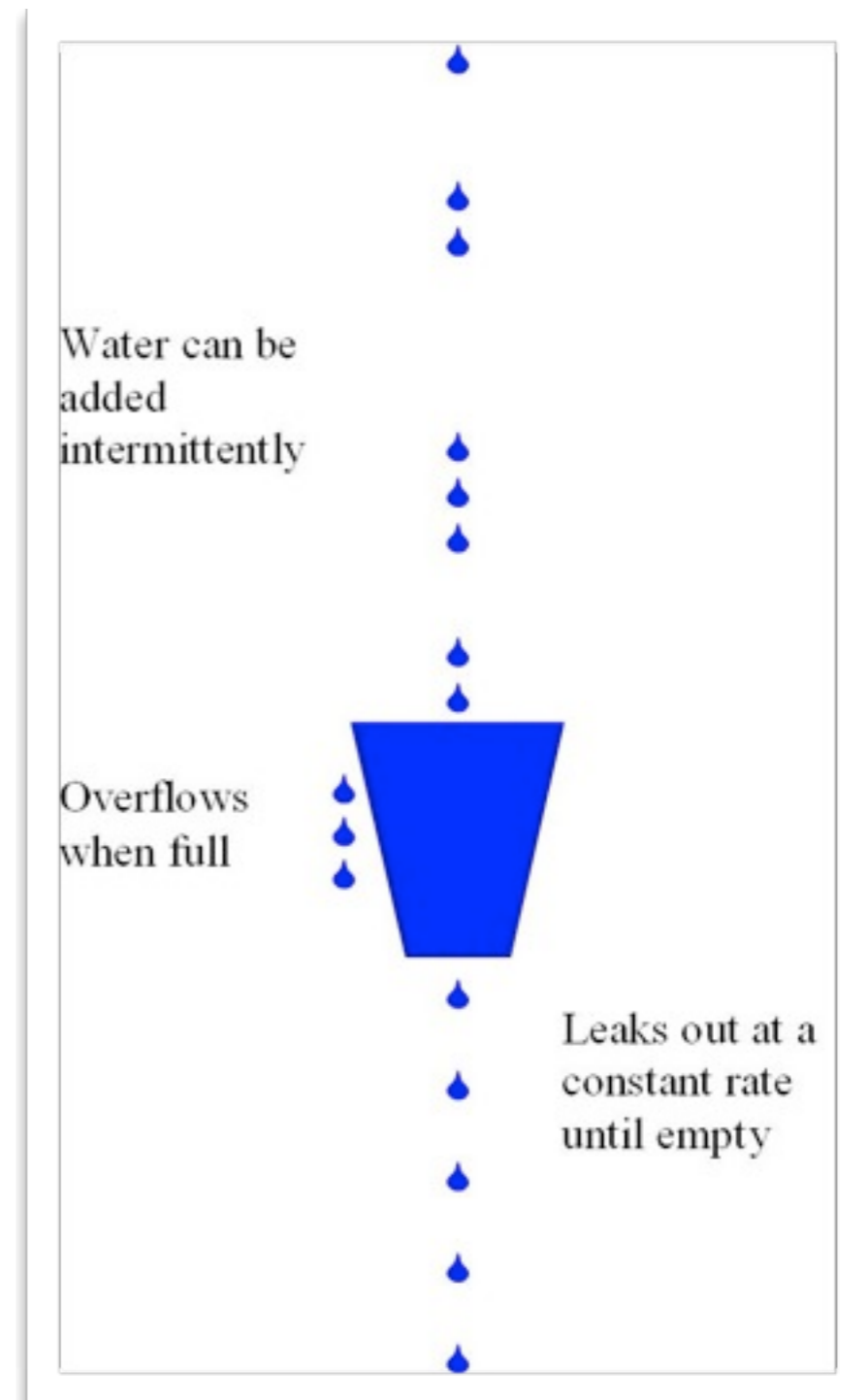
- Find data errors in a controlled way, usually by low priority maintenance task
- Logging is important for causal analysis - high possibility of related data errors
- Identifies latent faults

- **Checksums**

- Detect incorrect data by storing aggregate information along with the value
- Example: Space shuttle counts number of integers in a data structure
- Many options - parity bits, hashing
- Checksums are only for detection, recovery through *error correcting codes*

Detection Patterns - Leaky Bucket Counter

- Distinguish between transient and intermittent repeating faults
- Assign a *leaky bucket counter* to each *unit of mitigation*
 - Increment for each event / fault
 - Decrement periodically until initial value -> fault events are periodically *leaked*
 - Exceeding the pre-defined upper limit of the bucket identifies a permanent fault
- Examples
 - Faulty messages filling a buffer
 - Correctable memory errors



Error Recovery Patterns

Error Recovery Patterns - Quarantine / Concentrated Recovery

- **Quarantine**

- Activate the prevention of error spreading and work contribution
 - Relies on *units of mitigation* in the architecture
 - Activate barrier around the component
 - Example: State indicator from voting unit

- **Concentrated Recovery**

- Minimize unavailability by focusing all resources on recovery activity
- Inform *fault observer* about recovery activity, stay inside *unit of mitigation*
- Establish *quarantine* around recovery activity
- Well established in systems with high survivability demands (e.g. telco industry)

Error Recovery Patterns - Rollback / Roll-Forward

- How to resume processing after error recovery / error handler execution
- **Rollback**
 - Timing of the checkpoint / last requests decides about the rollback point
 - Consider side effects of repeated work
 - Errors might re-occur, so *limit retries*
- **Roll-Forward**
 - Resynchronization of systems tasks might be faster
 - Especially useful for event-driven stateless services
 - Demands proper damage mitigation and containment

Error Recovery Patterns - Restart / Limit Retries

- **Restart**

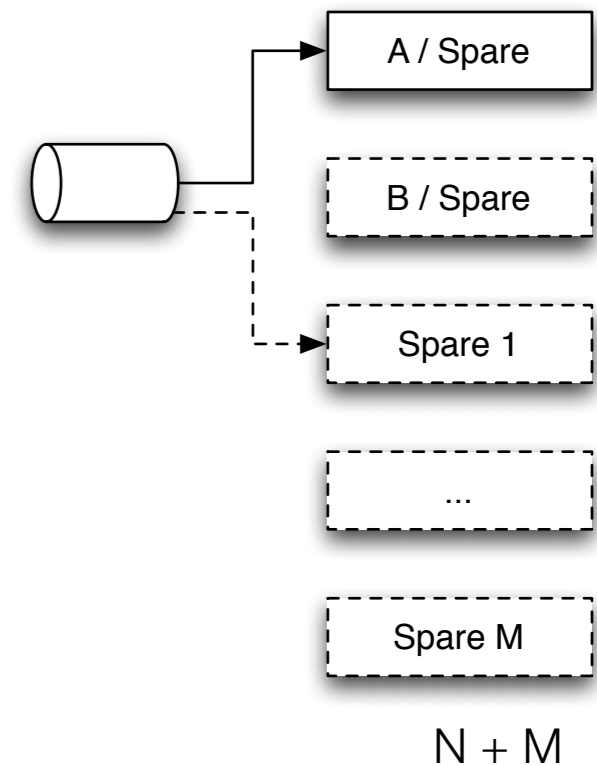
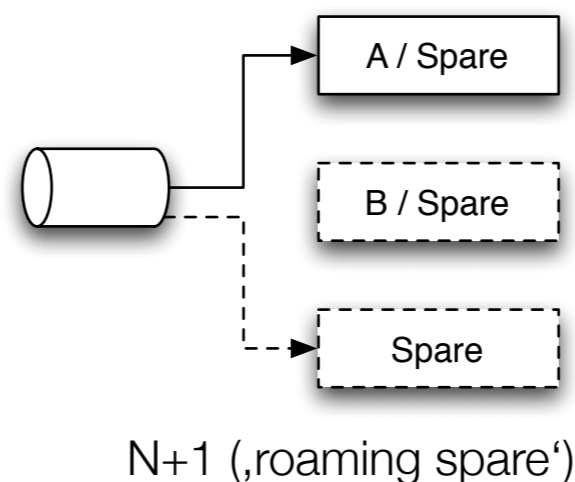
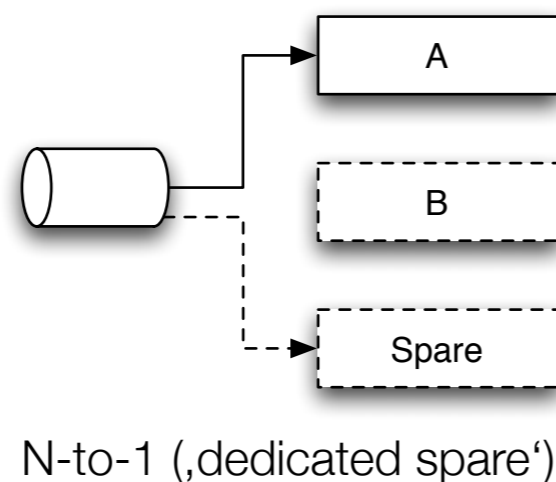
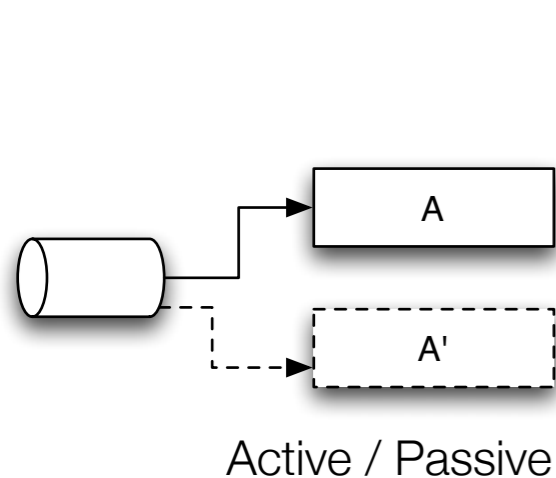
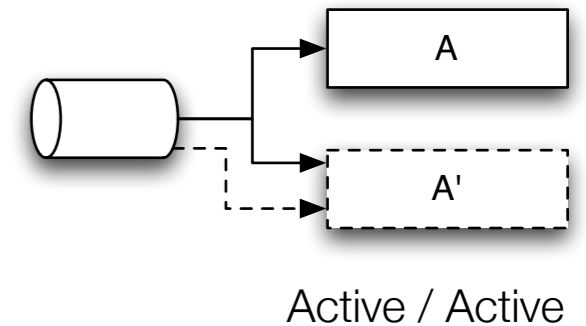
- Way to resume execution when *recovery / escalation* is not possible
- *cold / warm restart* - skip some of the initial checks, hardware vs. software restart
- Supported by *checkpoints*

- **Limit Retries**

- Scenario: Faults are deterministic (latent fault -> same stimuli -> activation)
 - *Rollback* might not solve the problem when the error activation reason remains
 - Example: ‚Killer messages‘ marked as being unprocessed, faulty checkpoints
- Problem: Propagation of error within itself, must be stopped by limiting retries
- Solution: *Safeguarding and roll-forward*

Error Recovery Patterns - Failover

- Restoring of error-free operation in active element did not succeed
- Switch to redundant resource, based on *replication*
- Important factors are failover time and common data access
- Establish *someone in charge* for steering
- Needs proper *quarantine* for the faulty system part



Redundancy Configurations for Failover

- *N-to-1* and *N+1* are special cases of *Active / Passive* with multiple services
- *Active / Active* has no downtime, but leads to degraded system performance in failover case and might demand specialized data *redundancy*
- *N-to-1* demands a fail-back step, which is not needed with *N+1*
- *Hot standby*: No ramp-up needed on failover, no service failure for the user
 - Natural property of *Active / Active* setups
 - Possible even with *Active / Passive* setting through continuous replication, stateless services or static data
- *Warm standby / log shipping*: Synchronize data block-wise on spare
- *Failover* is typically used as synonym for *Active / Passive*
- Orthogonal: *Shared Nothing* vs. *Shared Disk* data management

Failover - Dual Master Problem

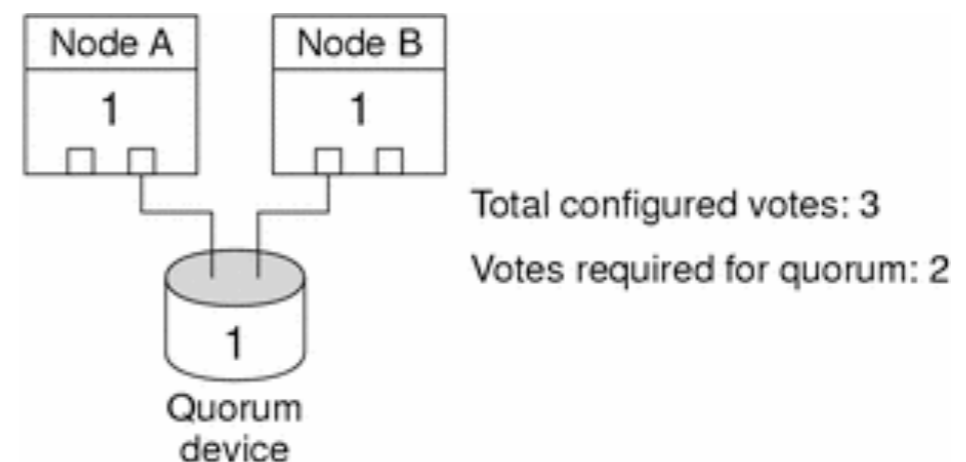
- Current active element might not relinquish control - **dual master** problem
- Typical problem in high-availability clusters
 - **Split brain** - Cluster interconnect is broken, several sub-cluster partitions start up
 - Establish **resource fencing** to let only one sub-group of the cluster work
 - **Amnesia** - Cluster restart with outdated configuration information
- **Quorum** - *„The number (as a majority) of officers or members of a body that when duly assembled is legally competent to transact business“* [Merriam-Webster]
 - ‚Transact business‘ in the sense of ‚provide service‘ - only one side should operate
 - Quorum allows fencing the other sub-cluster without communication
 - Loss of quorum should lead to node suicide, if possible

Failover - Quorum Approaches

- **Central arbitration** - Manual quorum, centralized server / admin sets master
- **Simple majority** - More than the half of the nodes must form a group
- **Weighted majority** - Votes for each node, group with higher vote count wins
 - Group decision is based on static data (nr. of votes, majority needed)
- **Tie-breaker** - Lightweight resolving strategy before decision inside the sub-group
 - Example: Ping response from common upstream router
- Whenever node connectivity changes, quorum decision should happen again
- Split brain has different faces
- Example in DRBD file system: Multiple replication masters by human error or temporary connectivity lost lead to difficult data merging demand

Failover - Weighted Majority with Quorum Device

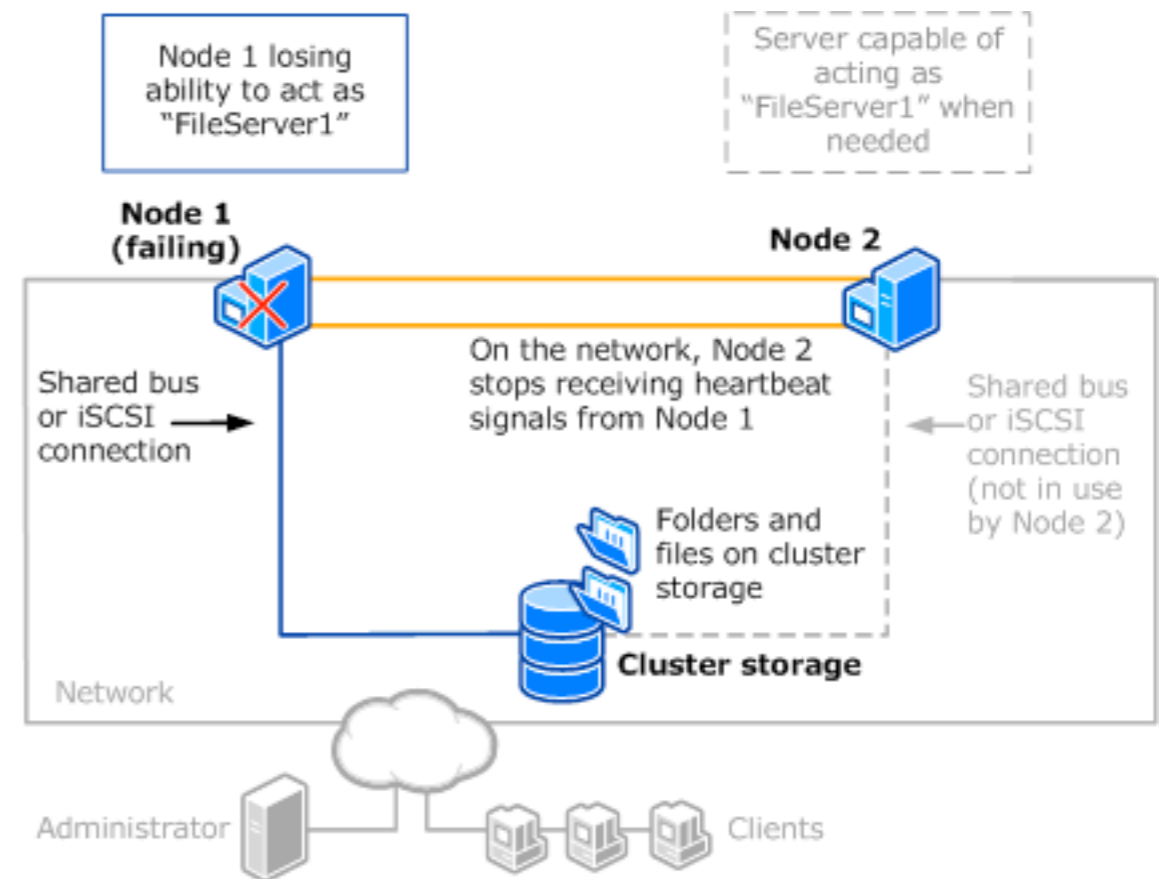
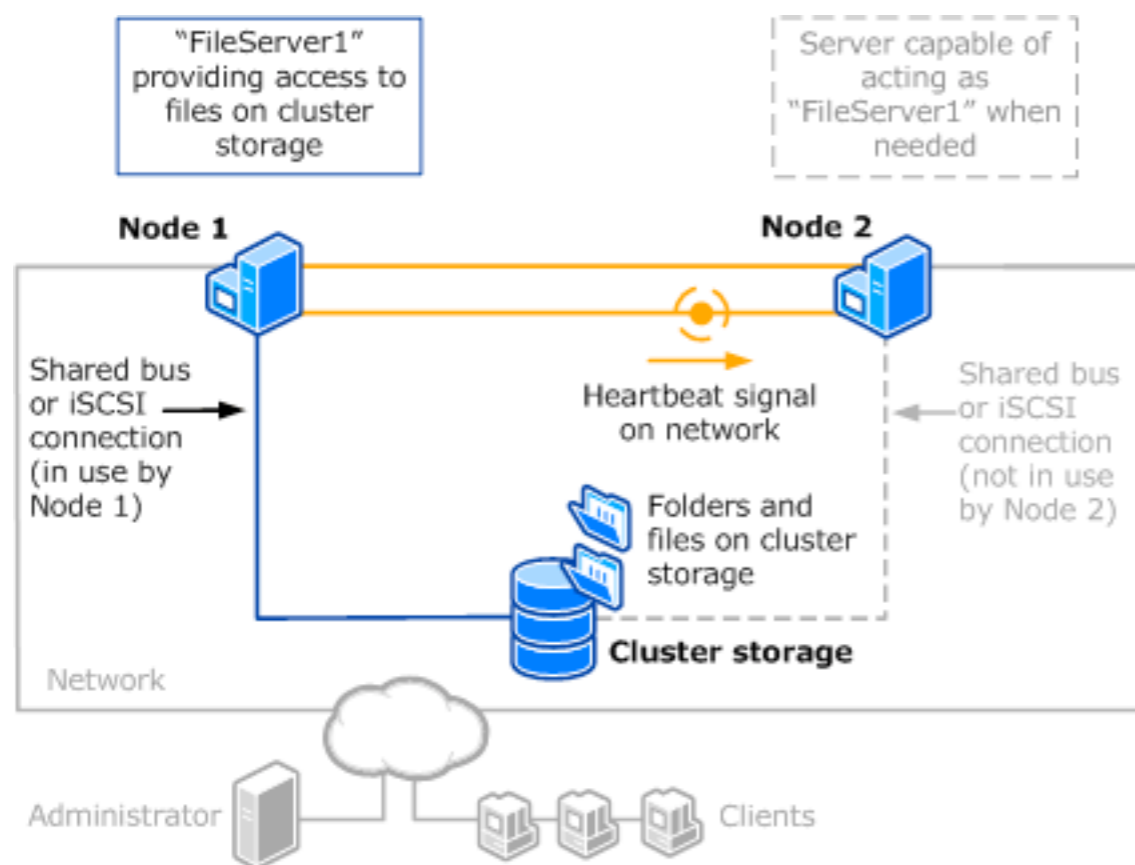
- With even node number, provide additional external vote through **quorum device**
 - Number of votes by the quorum devices should be less than node votes
 - Allows cluster to operate with failed quorum device
 - Connection scheme of the quorum device decides upon valid cases of partitioning
 - Quorum device is typically a shared disk
 - Only used when communication with other nodes fails
 - Implemented by SCSI RESERVE, Fibre Channel, or iSCSI



(C) Sun

Example - Windows File Server

- Quorum case: Heartbeat line broken, Node 1 itself still alive
 - Demands utilization of cluster storage as quorum device

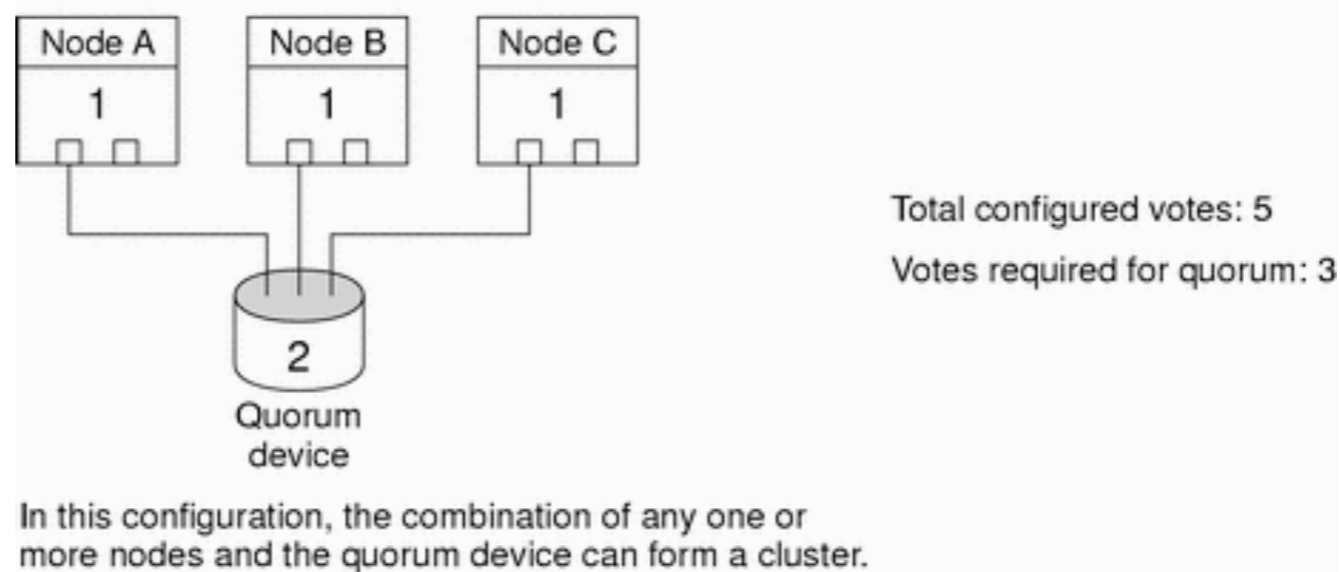
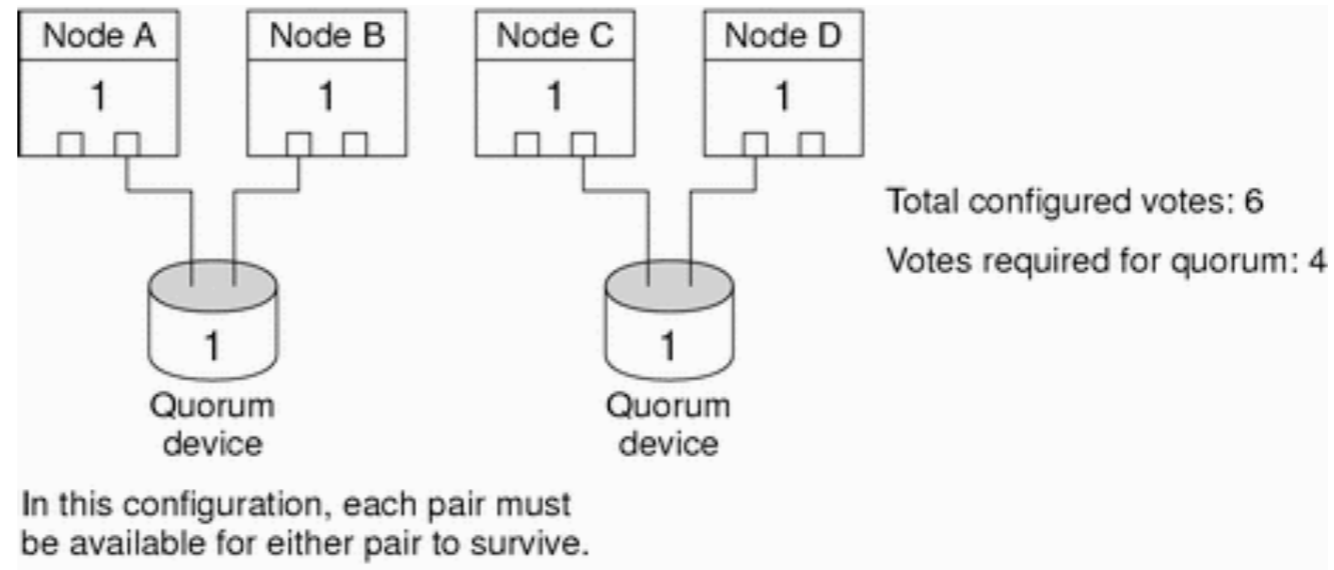


(C) Microsoft

SCSI Quorum Device

- Only one SCSI device can use the bus at a time - *arbitration process*
 - LUN acts as priority, so host bus adapters typically have the highest one
- SCSI commands RESERVE and RELEASE allow to lock one SCSI device for exclusive usage by another device
 - Automated release on device / bus reset
 - Periodical renewing of reservation by driver, or persistent reservation feature
- Example MS Windows Cluster Server
 - Master node acts as *defender*, renews reservation every 3 seconds
 - One node communication loss, *challenger* nodes resets the bus, waits for 7 seconds, and tries to get the reservation again

Example - Quorum in Clusters



(C) Sun

Example - Windows Server 2008 Failover Cluster

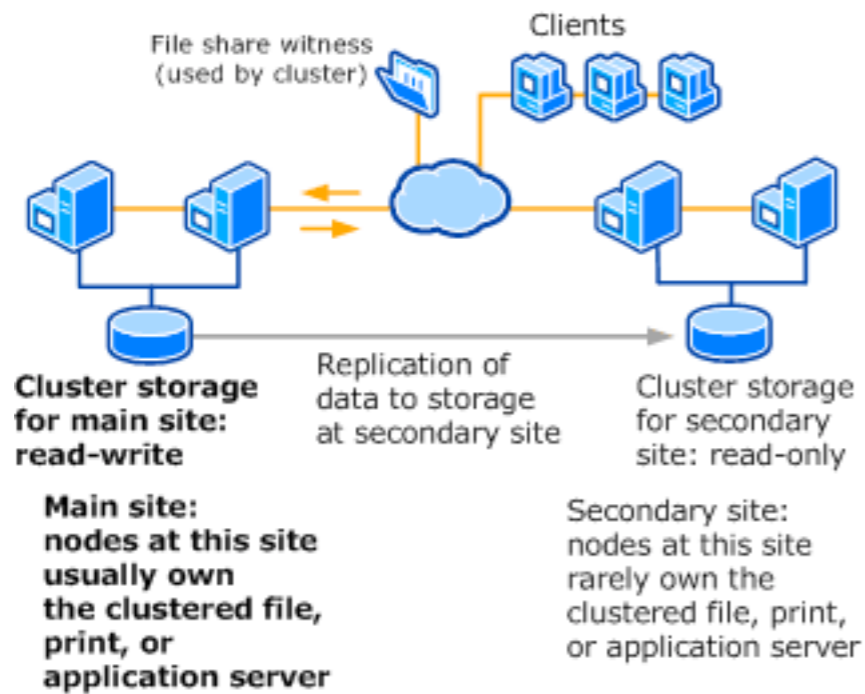
- Voting elements: Nodes, disk witness, file share witness (= tie-breaker)
- Quorum modes
 - *Node majority*, works with odd node number
 - *Node and disk majority*, for even node number with shared storage
 - *Node and file share majority*, for even node number in multi-site cluster
 - *No majority: disk only*, disk-based quorum as in Windows Server 2003
- File share / disk contains information about most recent cluster configuration (amnesia prevention)
- Disk mode: Hardware must offer persistent arbitration (e.g. SCSI reserve and release)
- File share mode: Active node keeps open file lock on the share (SMB feature)

Example - Windows Server 2008 Failover Cluster

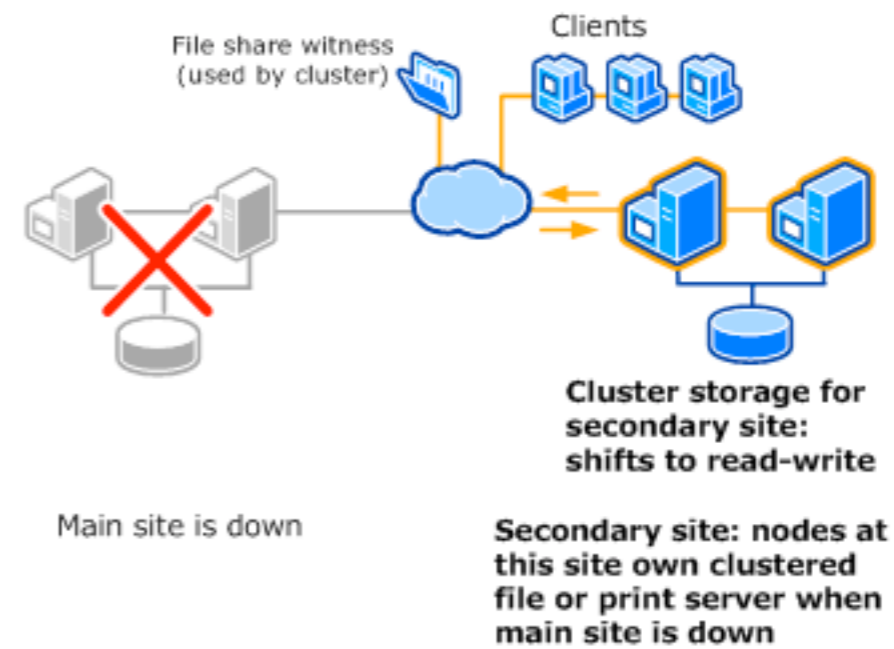
- Permanent point-to-point heartbeat surveillance on each node
- Process of achieving quorum
 - As the node comes up, determine if other cluster members can be contacted
 - Members compare their membership view on the cluster and agree on one (group communication)
 - Member collection determines if it has quorum
 - Without enough votes, it is waited for more members to appear
 - With quorum attended, resources and applications are brought into service

Example - Windows Multi-Site Clustered File Server

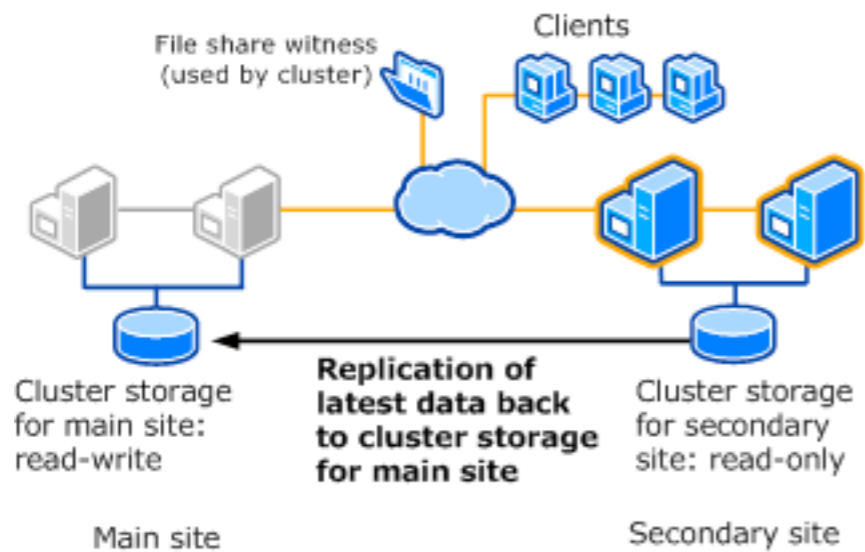
(C) Microsoft



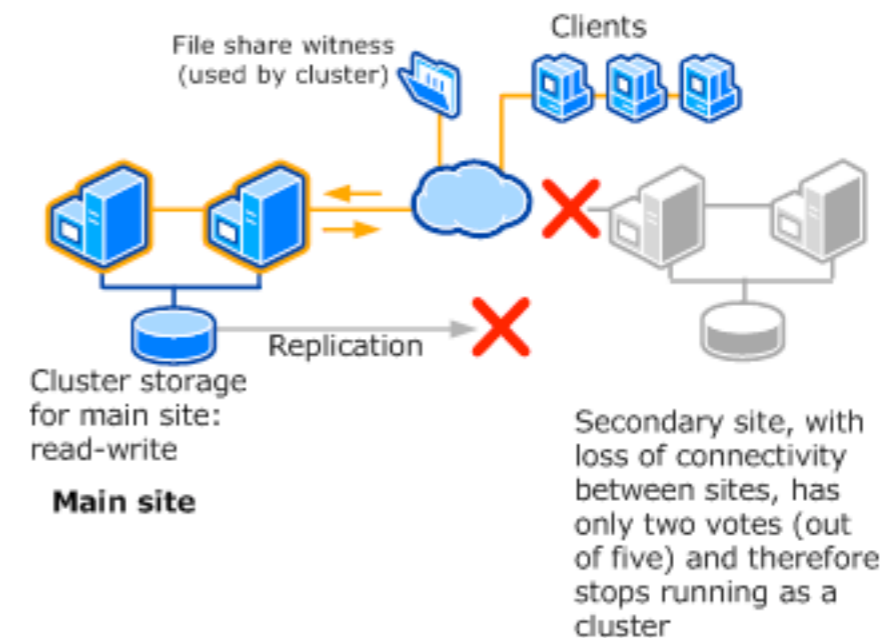
Normal Conditions



Main Site Gone

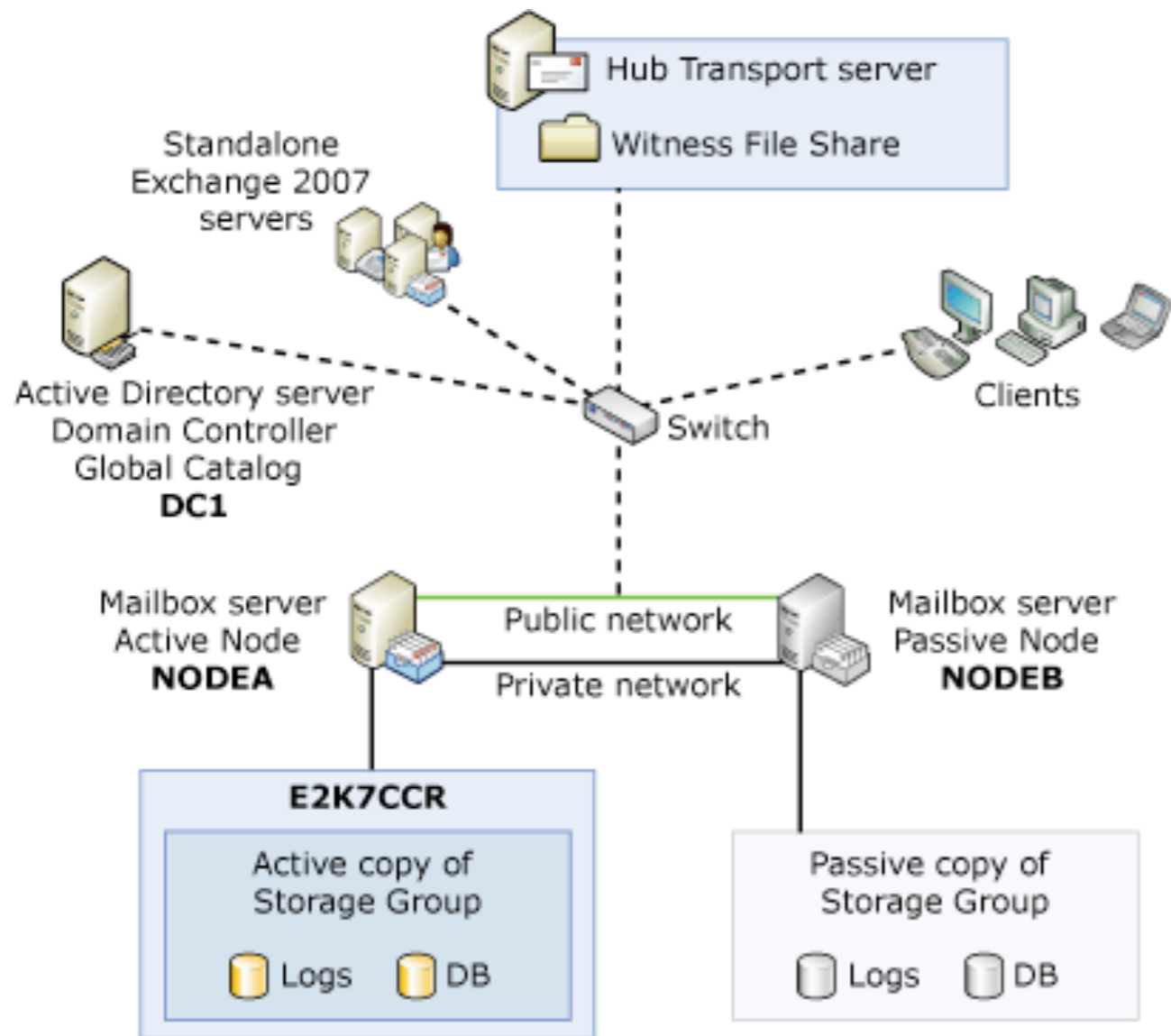


Main Site Back



Communication Lost
Split Brain

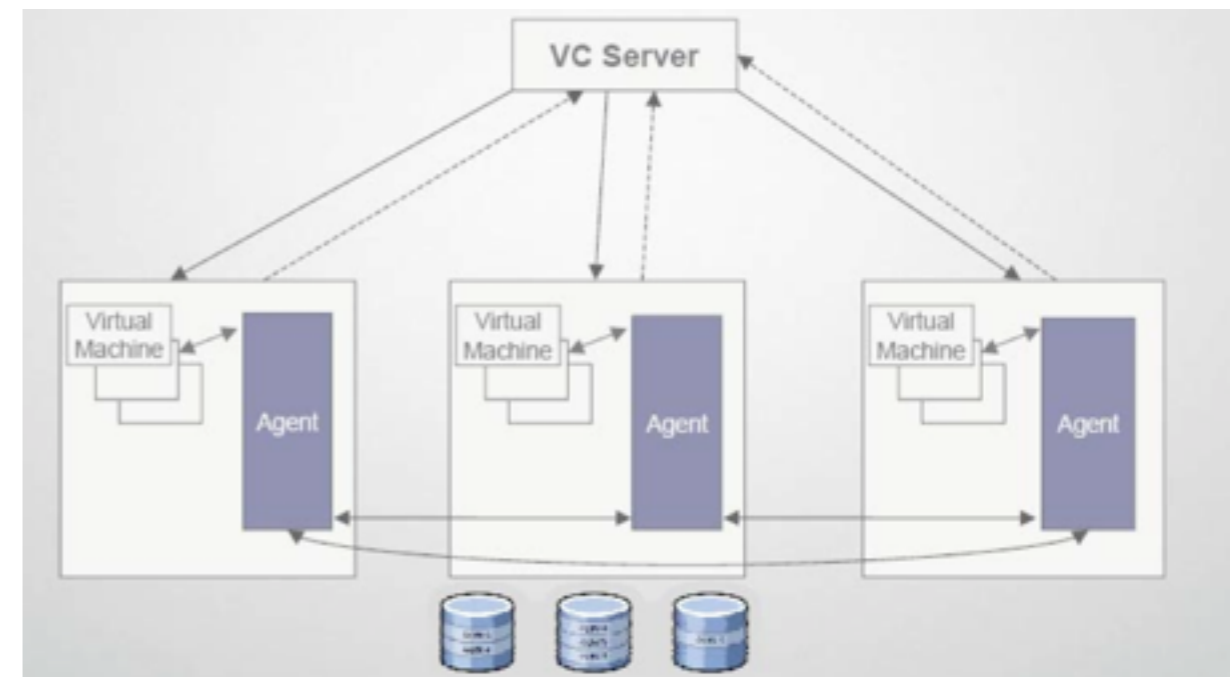
Example - Exchange 2007 Clustering



- Hub Transport Server allows messaging about the witness file share
- Witness share is checked ...
 - ... when a cluster node comes up and only one cluster node is available
 - ... when a previously reachable node is gone
 - ... when a node leaves the cluster (release lock)
 - ... periodically for validation purposes

Example - VMWare HA Split Brain Situation

- Even number of hosts run virtual machine images, stored on iSCSI / NFS
- Virtual machine image is protected by file lock with timeout
- Single host running a VM loses overall network connectivity
 - Other hosts restart the VM (due to lost external reachability)
 - Prevent the case that the VM on primary host will continue to run in this case
- Primary host gets connectivity back
 - Takes back the virtual machine image file since it has the according processes

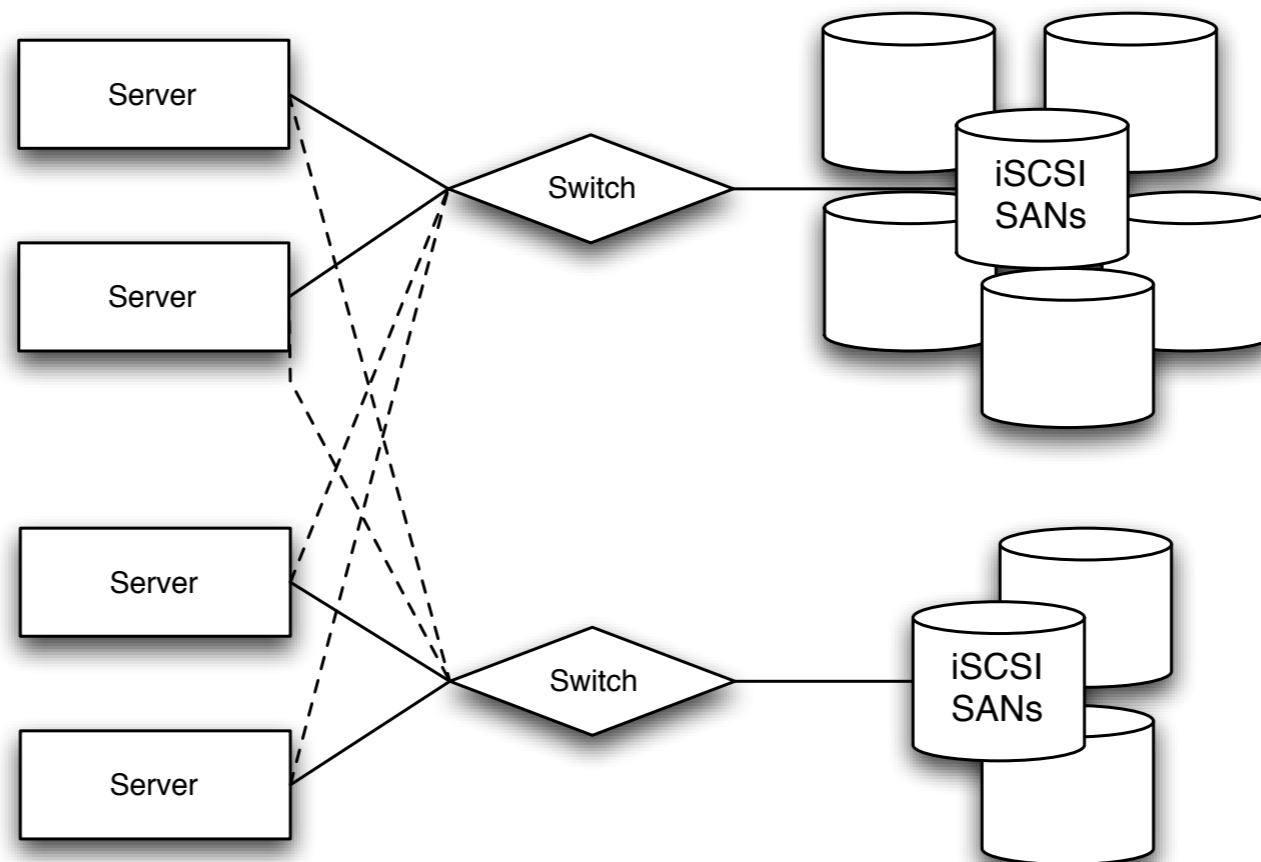


Error Recovery Patterns - Checkpoint

- Avoid loss of results during recovery by saving global state information
 - Focus on long duration data that is hard to achieve
 - Checkpoint data consistency and checkpointing interval are relevant
- The „snapshot“ problem - how to achieve global (distributed) consistency ?
 - Global state == local states + messages
 - Snapshot algorithms: Determine past, consistent, global state
 - Chandy & Lamport (1985) landmark paper
 - Relies on flushing principle of FIFO communication channels
 - Control messages ‚push out‘ pending messages

Error Recovery Patterns - Remote Storage

- Storage location for checkpoints is relevant in failover / rollback case
 - Should not be the single point of failure
 - Pattern is good decision point for level of redundancy needed
- Real-world application: iSCSI Multi-Homing



Error Recovery Patterns - Individuals Decide Timing / Data Reset

- **Individuals Decide Timing**

- **Independent checkpoints:** Opposite approach to global checkpoints
 - Each process takes a **dynamic local snapshot** when it needs to
 - Consistency establishment overhead at recovery time vs. global checkpoint overhead during operation

- **Data Reset**

- Recover from an uncorrectable data error by taking / computing initial values and approximate value
- Relationship to *return to reference point* pattern - data reset is often a correlated activity

Error Mitigation (= mostly Overload Handling) Patterns

Error Mitigation Patterns - Marked Data

- Data error detected, but no recovery option available, error mitigation is acceptable
- Data should be *quarantined* - do not use it, do not derive actions from it
- Example: IEEE ,Not a Number' (NaN)
 - Result of division by zero, square root of -1, ...
 - IEEE 754-1985: Standard representation for binary floating point numbers
 - Rules for computation when operand is NaN - typically result is again NaN
 - Options: Assume default value, skip operation, mark result as erroneous

Error Mitigation Patterns - Overload Toolboxes

- Handle overload situation with too many requests for the system
- Each resource class needs dedicated overload treatment
 - Memory: Exhaustion hinders new request from entering the system
 - CPU: Overload slows overall processing down
 - Patterns: *Fresh work before stale, share the load, shed load*
 - Tangible resources: Processing demands exclusive system resources
 - Network ports, shared storage, devices, ...
 - Patterns: *Queue for resources, equitable resource allocation*
- Consider user demands
 - Patterns: *Fresh work before stale, finish work in progress*

Error Mitigation Patterns - Shed Load

- Throw away a minority of requests to serve the majority
 - As early as possible, to minimize resource consumption
 - Rejection method to be considered, e.g. do not send acknowledgements
- Example: ICMP
 - Type 3: Destination Unreachable - not time-out on client host
 - Type 4: Source Quench - typically only between routers, also used by mail servers
 - Type 11: Time Exceeded - through congestion (or circular packets)
- Example: HTTP 5XX error codes
 - 503: Service Unavailable
- Specialized case: **Shed work at periphery**

Error Mitigation Patterns - Finish Work in Progress / Fresh Work Before Stale

- **Finish Work in Progress**

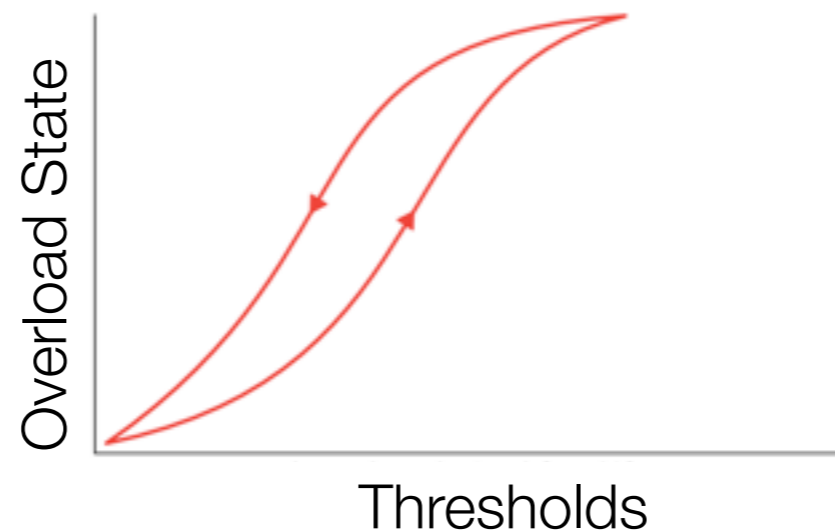
- What to process, what to reject ?
 - Best case is labeling of requests: „new“ vs. „continuation“
 - Distinguish ‚continuation‘ processes on their resource usage
 - Try aggressively to get rid of resource hogs
- Can lead to oscillation when system is „starving“ for new requests after cleanup
 - Solution: Let small portion of new requests through

- **Fresh Work Before Stale**

- If requester gives up, his retry eats up even more resources
- Perform LIFO queue handling or non-queueing for premium requesters

Error Mitigation Patterns - Slow It Down

- Handle overload cases and avoid saturation by multi-step *escalation*
 - Restrict request processing with increasing severity per level
 - Goal: Slow things down until the system can catch up with the load
 - Feedback system, demands dedicated resources for the controller part
 - Add **hysteresis effect** to prevent oscillation for level changes
 - Different trigger values to enter / leave an escalation level



Error Mitigation Patterns - Deferrable Work / Equitable Resource Allocation

- **Deferrable Work**

- High load: Shed incoming work vs. shed routine maintenance workload
- Make routine work (only relevant in error case) deferrable

- **Equitable Resource Allocation**

- Scenario: Handling of many requests for a set of resources, some of them are rare
- Request-level handling would render some resources unnecessarily idle
- Solution: Pool similar requests, allocate resources to pools
- Additional bookkeeping needed for managing the requests and their related resource demands
- Might lead to priority-inversion scenario

Error Mitigation Patterns - Expansive / Protective Automatic Controls

- **Expansive Automatic Controls**

- Design some system parts for only being used in case of overload
 - Example: No 100% CPU utilization in normal operation of HA clusters
 - Example: Dynamic Offloaded Work - Cloud Computing
- Increases request processing overhead, so take only as temporary solution

- **Protective Automatic Controls**

- Overload options: Shed internal work, shed incoming load, do nothing
- Put restrictions on how much work the system accepts while still functioning
- System throughput can drop due to contention, but should not drop to zero

Fault Treatment Patterns

Fault Treatment Patterns - Let Sleeping Dogs Lie / Reintegration

- **Let Sleeping Dogs Lie**

- Treating faults by system change can introduce new faults
 - Known latent fault: Risk of reoccurrence, damage assessment possible
 - Potential new fault: Additional risk of miss-applied correction, no damage assessment possible for accidentally added faults

- **Reintegration**

- Different steps needed to reintegrate repaired component
 - Take off *riding over transient* and *isolation* lists
 - Watch new component for a while: **hardening / soaking / trailing**
 - Follow deterministic procedure, use as *standby* if possible

Fault Treatment Patterns - Reproducible Error / Small Patches / Revise Procedure

- **Reproducible Error**

- Apply stimuli again under *quarantine* in order to prove fix
 - Can be automated (regression test)
 - Compare system output with *golden unit* output

- **Small Patches**

- Design system update as small as possible

- **Revise Procedure**

- When predetermined procedures contributed to failure duration, fix them