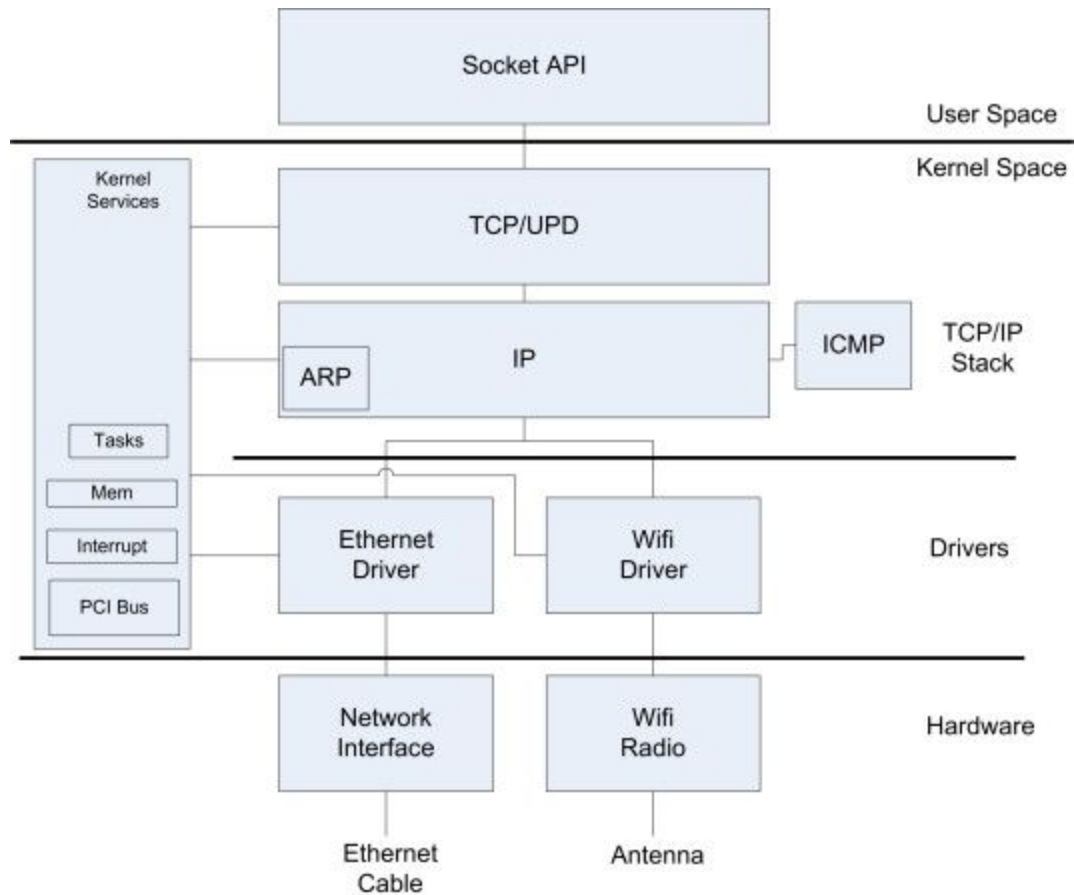
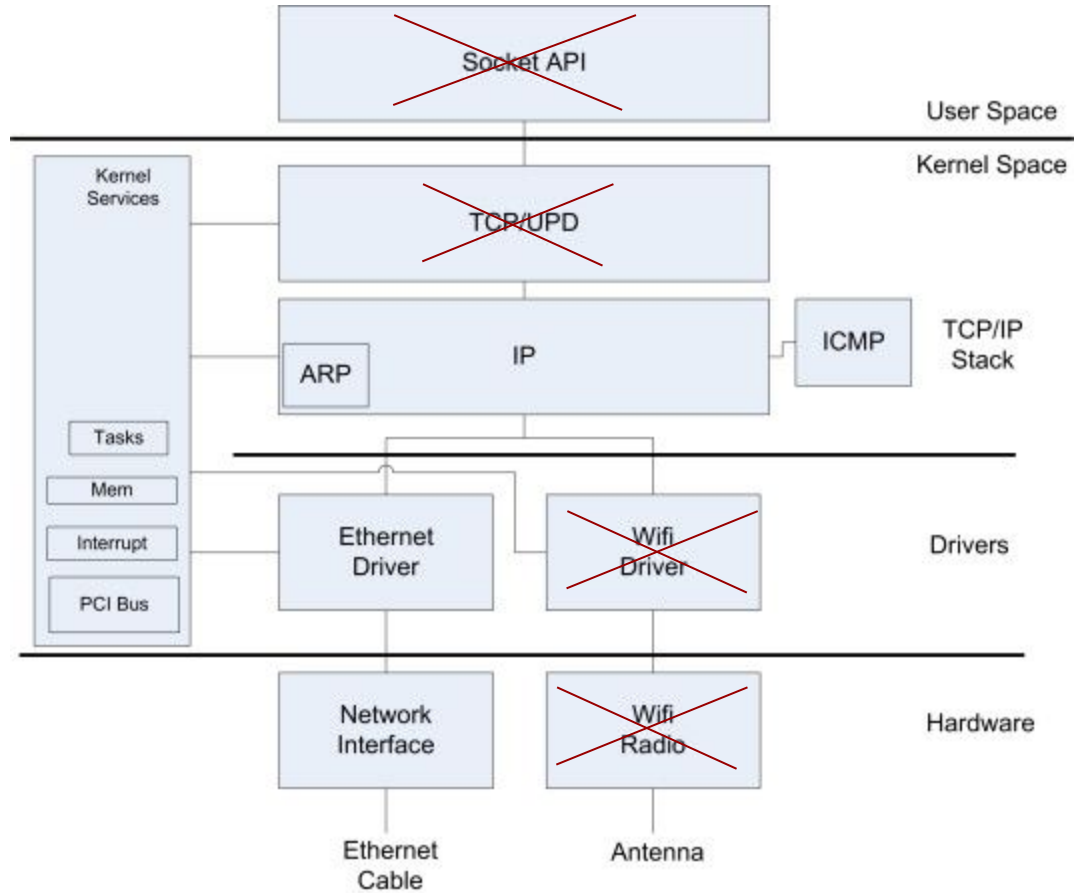


Project Kraken

A Network Stack for Ninjastorms OS

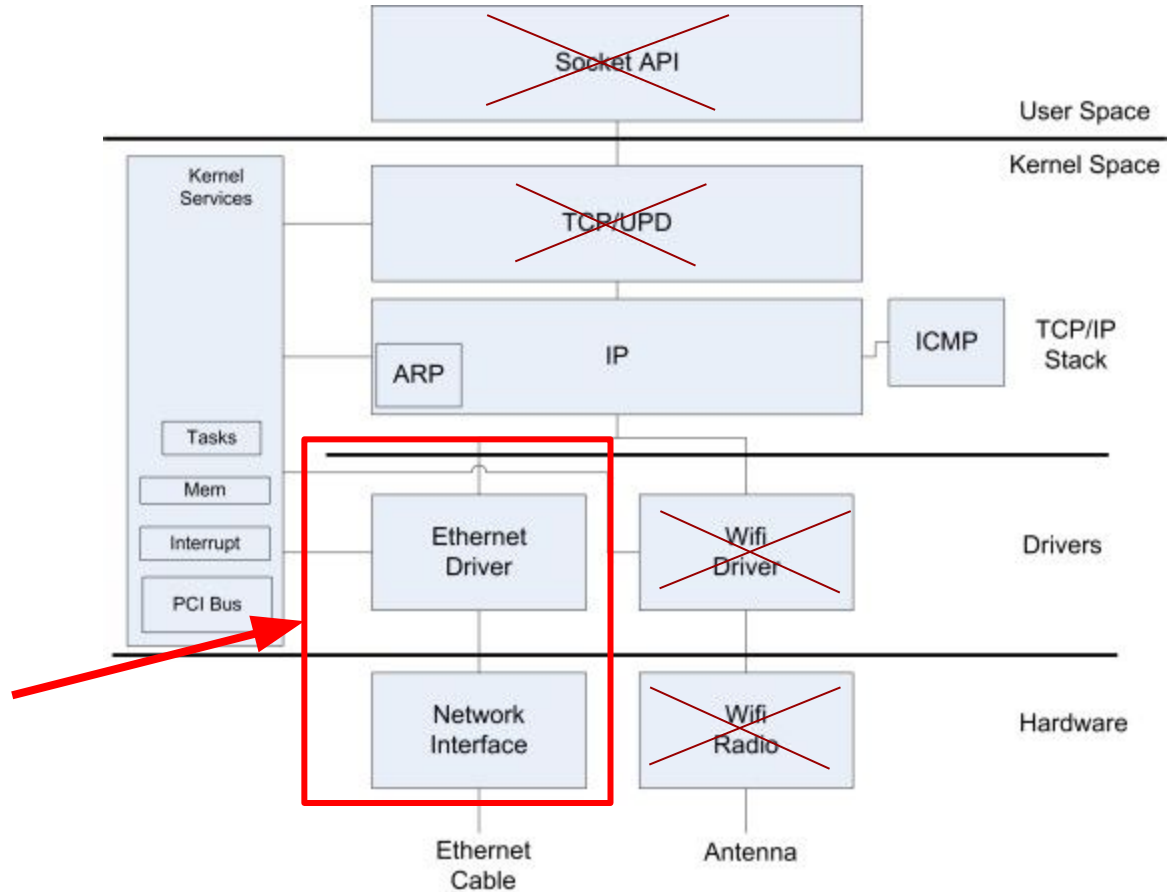




Phase 0:

* Build driver for network hardware

* Support Ethernet



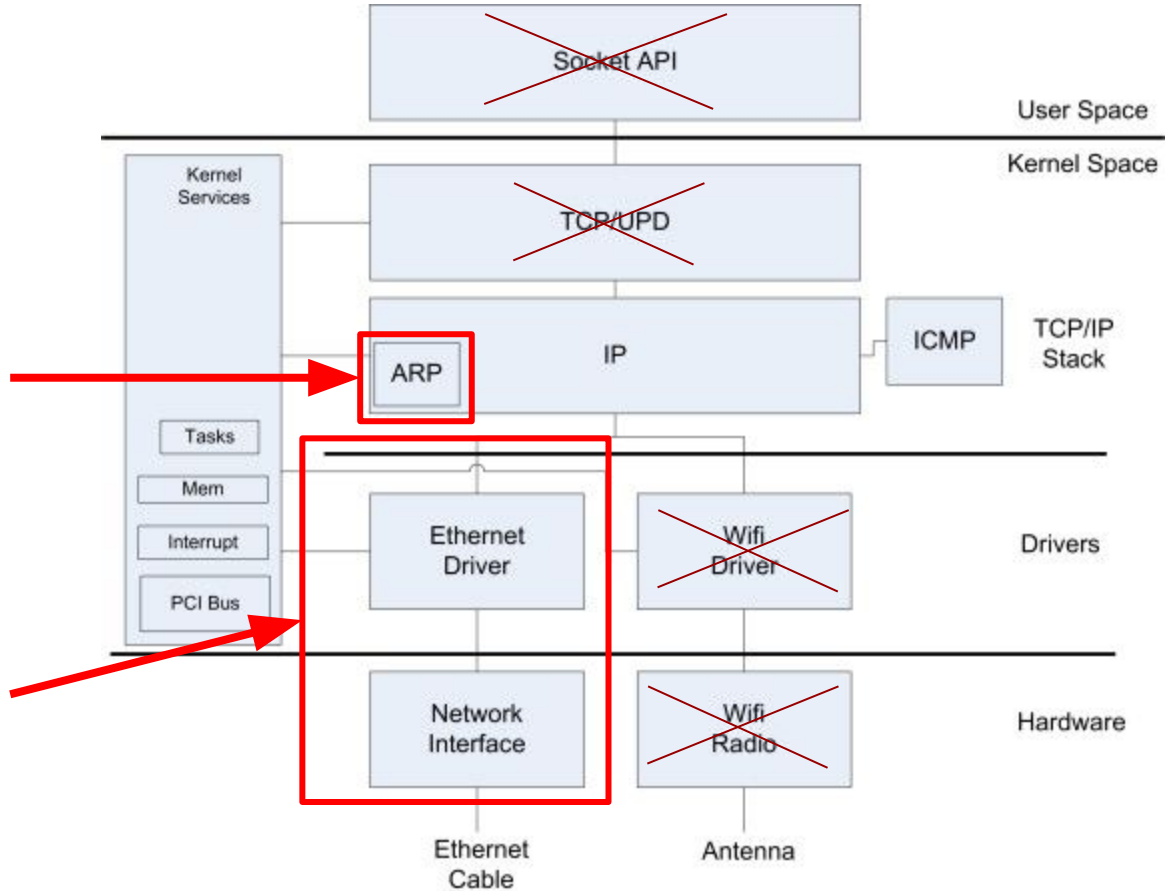
Phase 1:

* Let ARP fly

Phase 0:

* Build driver for network hardware

* Support Ethernet



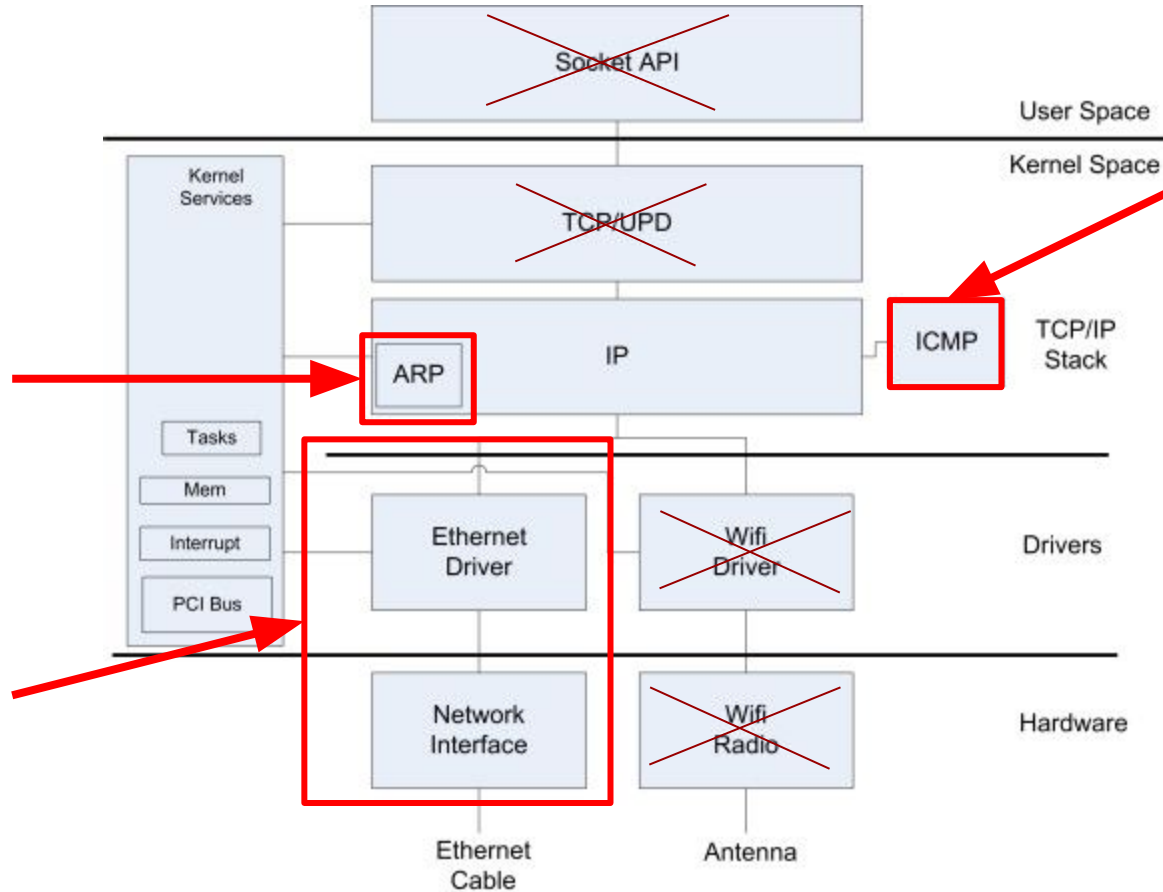
Phase 1:

* Let ARP fly

Phase 0:

* Build driver for network hardware

* Support Ethernet



Phase 2:

* Be able to ping a host and see its response

Related Projects or other helpful Sources

- Serenity OS
 - Implemented also a network stack up to the application layer
 - Might give us many hints in how the components interact with each other
- osdev.org
 - Wiki containing very many information about how the basic things like drivers for NICs are working
- Linux
 - not helpful at all (ethernet.c has >1500 loc, wtf?)